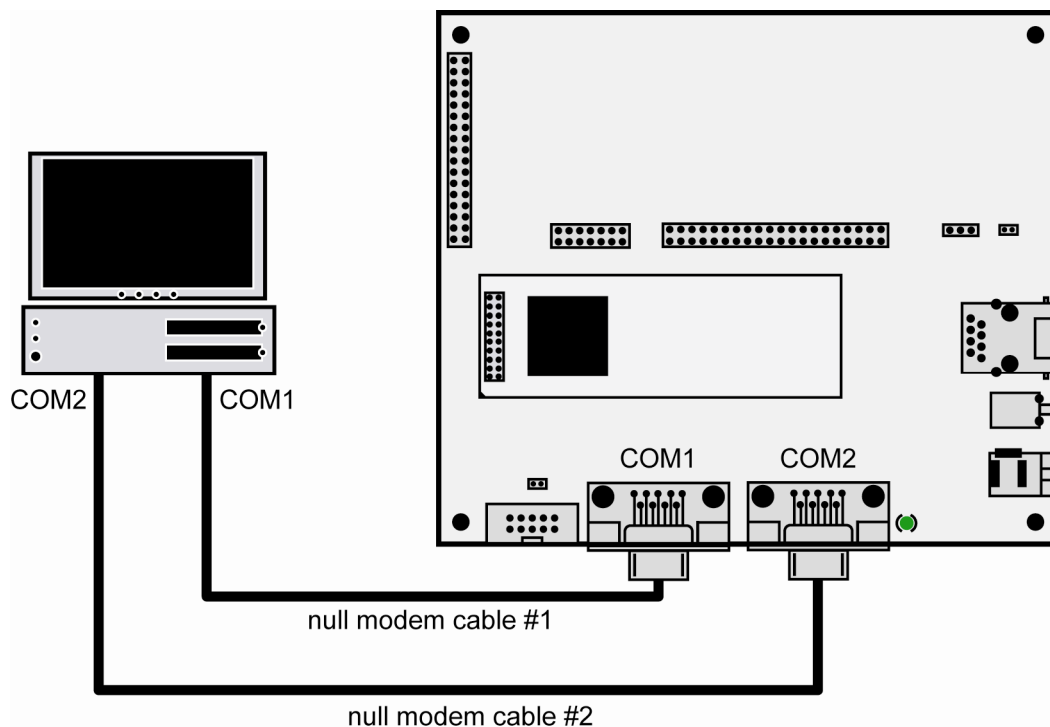


## How to Setup a PPP Connection

Some DIL/NetPC applications require TCP/IP over asynchronous serial lines. A typical sample is the GPRS-based Internet access with a GSM/GPRS modem. The DIL/NetPC DNP/5280 Starter Kit CD-ROM Version 1.7 (or newer) comes with pre-build **PPP** software components for the DNP/5280 Linux operation system and a user manual.

The **Point-to-Point Protocol**, or PPP, is commonly used to establish a direct connection between two nodes. It can connect computers using serial cable, phone line, trunk line, cellular telephone, specialized radio links, or fiber optic links. Most internet service providers use PPP for dial-up access to the Internet. PPP is commonly used to act as a "layer 2" (the "Data Link" layer of the OSI model) protocol for connection over synchronous and asynchronous serial links. PPP supports TCP/IP and other protocols.

- **1. Step:** For a first PPP connection test, please setup an environment with two serial connections between a DNP/5280 starter kit and a Windows XP-based PC.



- **2. Step:** For software component installation and configuration please use the DIL/NetPC DNP/5280 user manual *Installing a PPP Connection* and follow the steps within this manual. The manual is available over the <http://www.dilnetpc.com/dnp0043.htm> and as part of the DNP/5280 Starter Kit CD-ROM Version 1.7 (or newer).

That's all.